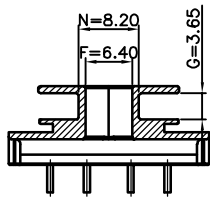
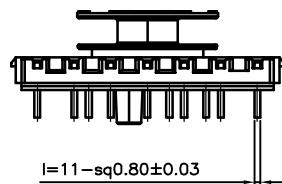
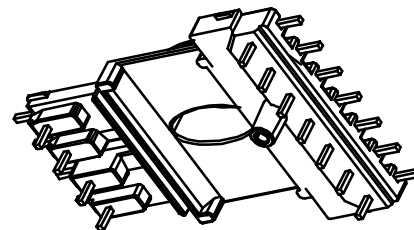
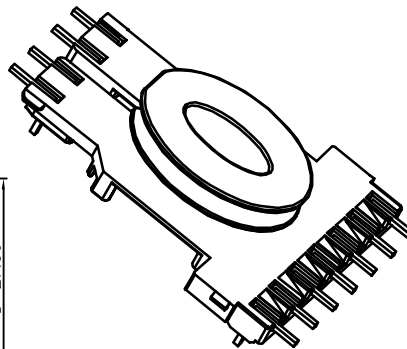
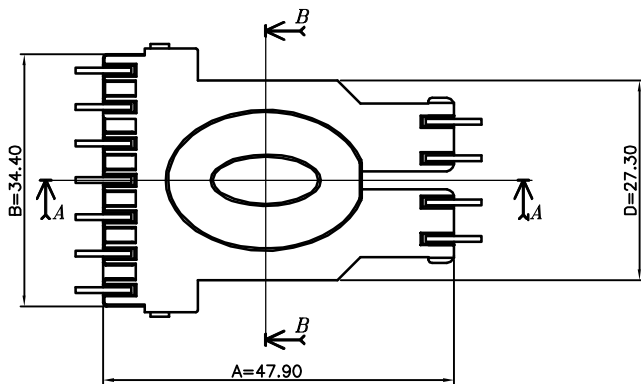


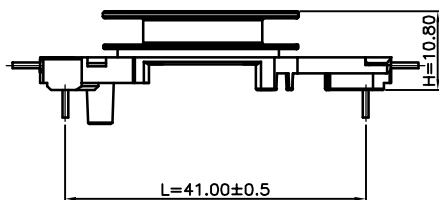
TOLERANCE	
0<L≤16	±0.2
16<L≤50	±0.3
50<L≤63	±0.4
63<L≤76	±0.5
76<L≤100	±0.7



SECTION B-B

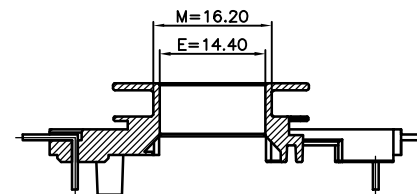
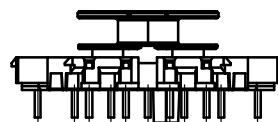


$l=11-sq0.80\pm0.03$

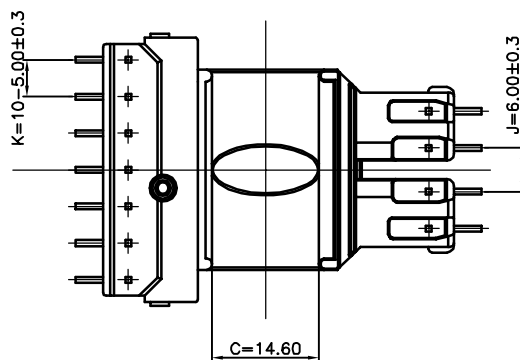


$L=41.00\pm0.5$

$H=10.80$



SECTION A-A



$K=10-5.00\pm0.3$

$J=6.00\pm0.3$

$C=14.60$

MARK	REVISION NOTE			DATE	DRAWN	CHECKED	APPROVED
△							
△							
△							
	DRAWN	CHECKED	APPROVED	MATERIAL : PHENOL	UL REC. : UL94V-0	THIRD ANGLE PROJ.	SCALE : 1/1
	h.j. shin	KM, Seo	C, Park	Z : PIN LENGTH (According to customer's request)	DATE : 2015.04.08	PIN TENSILE FORCE :	UNIT : m/m
	주식회사 대흥보빈 DAE HEUNG BOBBIN CO., LTD			TITLE EED 36*14 "V" (11P)	DWG NO DH-150625-2096-00		